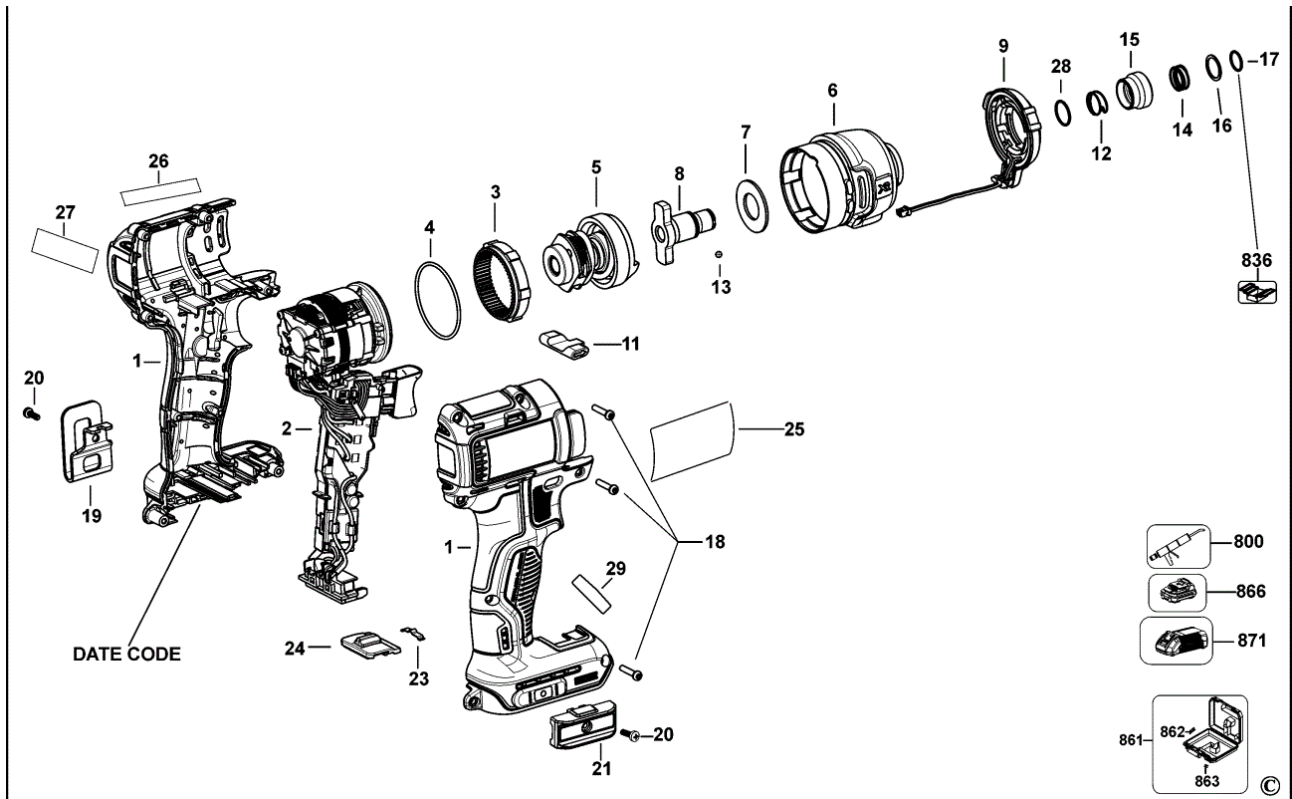


Part Lists & Scheme Cordless impact drill driver 18V DEWALT DCF887N



Part Lists & Sheme Cordless impact drill driver 18V DEWALT DCF887N

Item No.	Product Number	Qty Per	Product Description	Type	Other Info
1	N425910	1	CLAMSHELL SET		
2	N439264	1	MOTOR & SWITCH SA	18V	
3	N112877	1	GEAR		
4	N075339	1	O RING		
5	N439270	1	IMPACTOR		
6	N439271	1	NOSE SA		
7	642883-00	1	WASHER		
8	N439275	1	ANVIL ASSEMBLY		
9	N424434	1	LED LIGHT		
11	N399342	1	ACTUATOR FWD/REV		
12	N437890	1	SPRING	BALL	
13	N089668	1	BALL STEEL	3.5MM	
14	N019351	1	SPRING		
15	N415593	1	SLEEVE		
16	N016823	1	WASHER		
17	N421245	1	RING		
18	682211-00	8	SCREW		
19	N086039	1	HOOK		
20	N042665	2	SCREW	M3 X 10	
21	N095778	1	HOLDER BIT		
23	N087259	1	DETENT		
24	N046201	1	SELECTOR		
25	N472874	1	RATING LABEL		
26	N237999	1	LABEL	18V	
27	N298039	1	LABEL		
28	N424032	1	RING		
29	N514607	1	LABEL	Speed Switch	
800	808386-00	1	GREASE 100 GMS	Molykote G-68	
800	286436-00	1	GREASE	500 gms	
836	1003940-99	1	S.T.CIRCLIP INSERTER		
861	N442425	1	KITBOX	D2-P2-NT - TSTAK	
861	N442424	1	KIT BOX	D2T - TSTAK	
862	H1500082520	2	LATCH		

Item No.	Product Number	Qty Per	Product Description	Type	Other Info
863	P910190	2	LATCH		
866	N314783	1	BATTERY 18V - 2.0AH - 36WH	Li-Ion - DCB183-XJ	DCF887-D2
866	N394624	1	BATTERY 18V - 5.0AH - 90WH	Li-Ion - DCB184-XJ	DCF887-P2
871	N450537	1	CHARGER 10.8V - 18V	DCB115-GB - 4.0A	